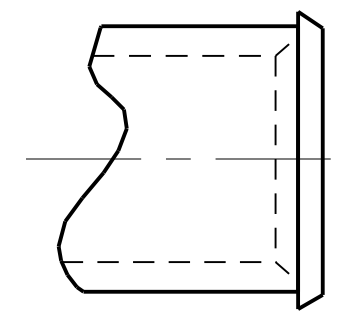
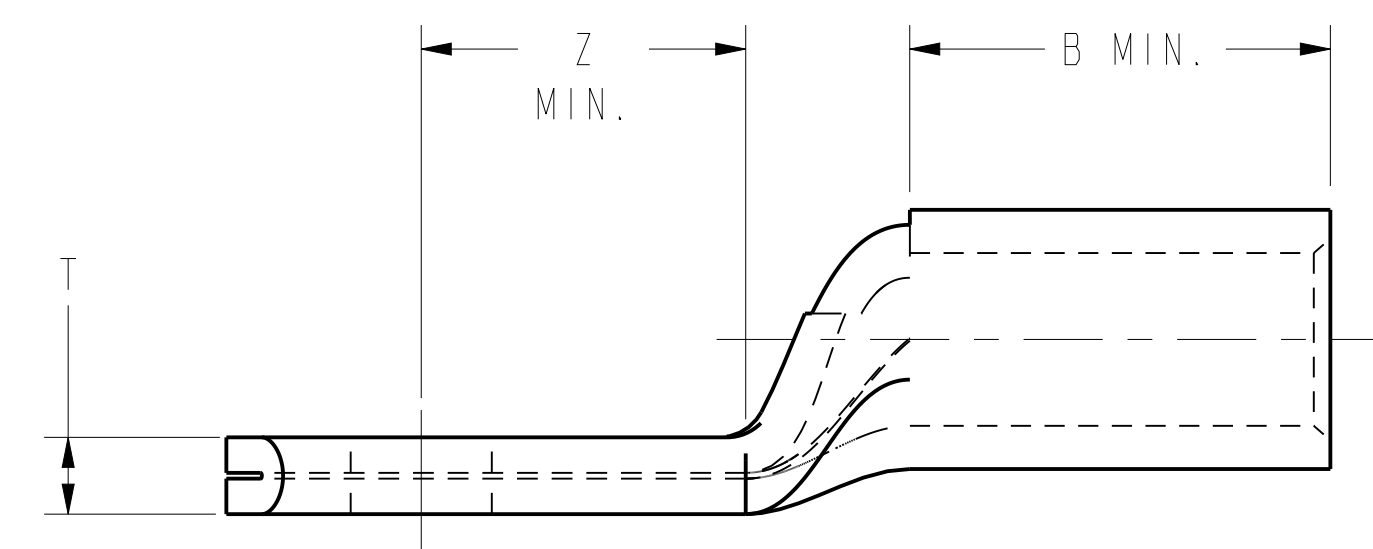
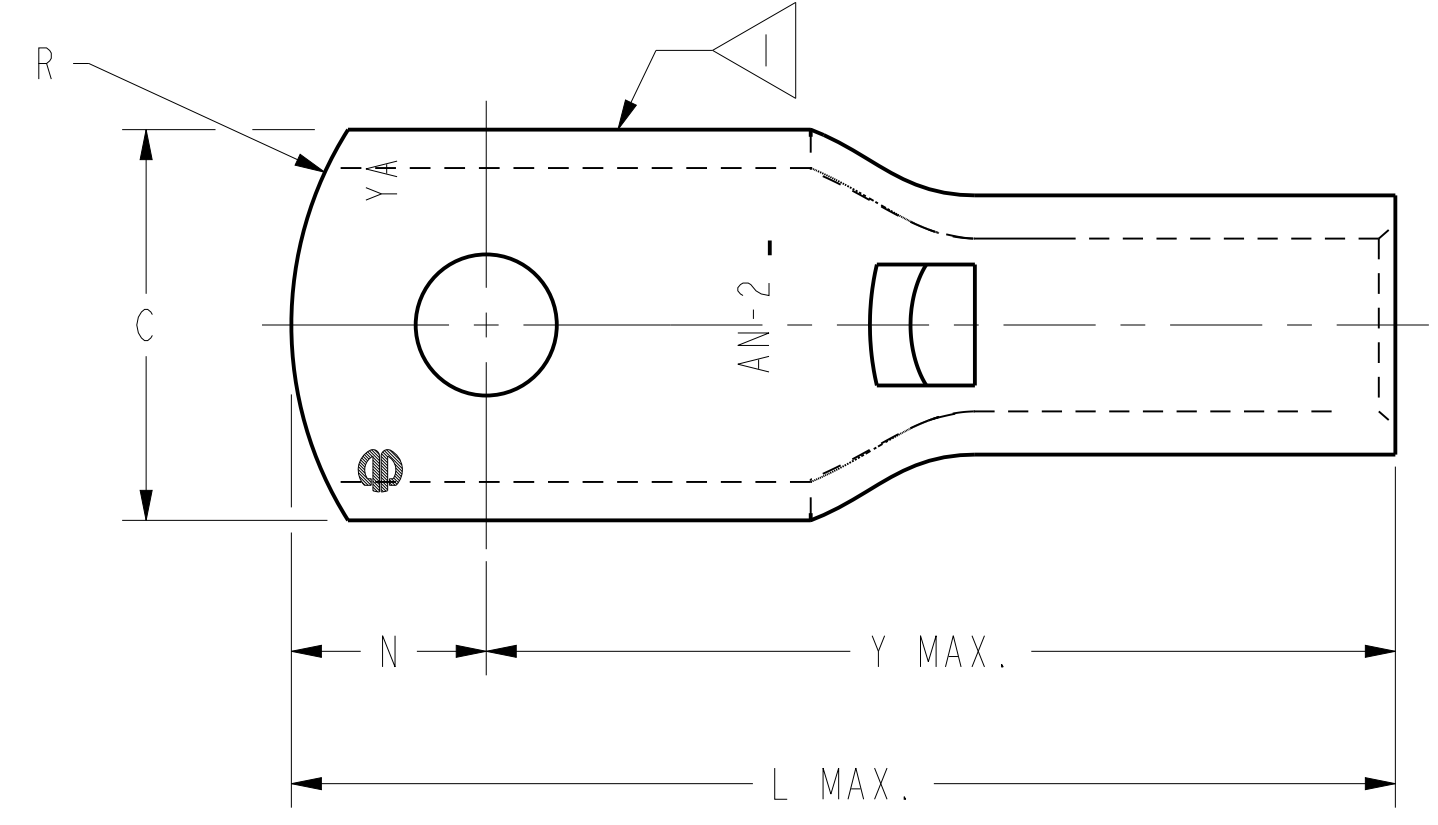


COPPER AIRCRAFT CABLE MIL-W-5036	MS20659 DASH NO. 5	STUD SIZE	CATALOG NUMBER	C	N	Z MIN.	Y MAX.	L MAX.	T	B MIN.	R REF.	INSTALLATION TOOLING				
												NON - RATCHET	RATCHET	PNEUMATIC	HYDRAULIC	
AN 12 - 10	----	8	YAV10T11	.38	.19	.26	.78	.97	.06	.40	.25	Y10D, Y10-22	Y10MRPA WITH J1022NC5 DIE MR8G98, MR89Q, Y8MRB1, MR20	Y6NCB OR Y6NCP WITH J1022NC5 DIE	---	---
	102	10	YAV10													
	----	1/4	YAV10T3	.47	.23	.34	.85	1.09	.05	.39	.31					
	106	5/16	YAV10T2	.53	.27		.86	1.13	.04	.39						
AN-8	----	6	YAV8CL15	.41	.20	.28	.94	1.15	.07	.38	MY29-11	MR4C, MR89Q, Y8MRB1, M8ND WITH N8CT DIE	Y6NCB OR Y6NCP WITH Y2CNC NEST AND J8CNC INDENTOR DIES	DV8LI NEST Y29PL INDENTOR (1) CRIMP	UV8L NEST Y34PL INDENTOR (1) CRIMP	
	140	8	YAV8CL14		.17	.25	.91	1.09								
	----	10	YAV8CL22	.28	.28	.94	1.15									
	107	10	YAV8CL	.20	.25	.91	1.12									
	----	10-5MM	YAV8CL31	.46	.23	.32	.98	1.22	.07	.41						.69
	141	1/4	YAV8CL1		.28	.34	1.01	1.30								
	108	5/16	YAV8CL2	.31	.51	1.18	1.49	.05	.38							
	129	3/8	YAV8CL3	.28	.34	1.01	1.30									
	----	3/8-10MM	YAV8CL32	.73	.38	.48	1.14	1.52	.04	.75						.38
	142	1/2	YAV8CL4		.23	.32	.99	1.22								
	----	5/8	YAV8CL39	.41	.20	.26	.93	1.13	.07	.38						
	----	12	YAV8CL86	.46	.23	.32	.99	1.22	.07	.38						
	----	1/4	YAV8CL1B	.46												
	----	1/4	YAV8CL1BOX500	.46	.20	.28	.94	1.15	.07							
AN-6	130	10	YAV6CL1	.48	.24	.29	1.06	1.31	.07	.47	.69	MY28 MY29-11	MR4C	Y6NCB OR Y6NCP WITH Y2CNC NEST AND J6CNC INDENTOR DIES	DV6L NEST Y29PL INDENTOR (1) CRIMP	UV6L NEST Y34PLA INDENTOR (1) CRIMP
	----	10	YAV6CL12	.50	.25	.34	1.11	1.37	.07							
	----	10-5MM	YAV6CL25	.48	.24	.29	1.06	1.31	.07							
	109	1/4	YAV6CL	.50	.25	.63	1.40	1.65	.07							
	131	5/16	YAV6CL4	.60	.30	.35	1.13	1.43	.06							
	110	3/8	YAV6CL2	.48	1.26	1.56										
	----	3/8	YAV6CL22	.69	.44	.45	1.23	1.67	.05							
	----	3/8-10MM	YAV6CL26	.60	.30	.35	1.13	1.43	.06							
	143	1/2	YAV6CL10	.74	.38	.49	1.26	1.64								
	----	10	YAV6CL19BOX	.44	.24	.29	1.06	1.31	.69							
----	1/4	YAV6CLBOX500	.50	1.28												
AN-4	144	10	YAV4CL3	.55	.25			1.37	.08	.47	.38	MY28 MY29-11	MR4C	---	DV4L NEST Y29PL INDENTOR (1) CRIMP	UV4L NEST Y34PLA INDENTOR (1) CRIMP
	----	10-5MM	YAV4CL21		.28	.28	1.11	1.39								
	111	1/4	YAV4CL	.25			1.37									
	----	1/4	YAV4CL30	.28	.35	1.18	1.46									
	----	1/4	YAV4CL31		.28	1.11	1.39									
	132	5/16	YAV4CL4	.33	1.17	1.48										
112	3/8	YAV4CL2	.63	.31		.48	1.32	1.63	.07							
----	3/8	YAV4CL17								.33	1.17	1.48				
----	3/8-10MM	YAV4CL22	.73	.38	.47	1.30	1.68	.06	.69							
145	1/2	YAV4CL5														

INSTALLATION TOOLING			
NON - RATCHET	RATCHET	PNEUMATIC	HYDRAULIC
Y10D, Y10-22	Y10MRPA WITH J1022NC5 DIE MR8G98, MR89Q, Y8MRB1, MR20	Y6NCB OR Y6NCP WITH J1022NC5 DIE	Y29B, Y29NC Y35, Y35BH, Y39, Y39BH, Y750, Y750BH
MY29-11	MR4C, MR89Q, Y8MRB1, M8ND WITH N8CT DIE	Y6NCB OR Y6NCP WITH Y2CNC NEST AND J8CNC INDENTOR DIES	DV8LI NEST Y29PL INDENTOR (1) CRIMP UV8L NEST Y34PL INDENTOR (1) CRIMP
MY28 MY29-11	MR4C	Y6NCB OR Y6NCP WITH Y2CNC NEST AND J6CNC INDENTOR DIES	DV6L NEST Y29PL INDENTOR (1) CRIMP UV6L NEST Y34PLA INDENTOR (1) CRIMP
MY28 MY29-11	MR4C	---	DV4L NEST Y29PL INDENTOR (1) CRIMP UV4L NEST Y34PLA INDENTOR (1) CRIMP



- NOTES:
1. DUE TO METHODS OF MANUFACTURING, SERRATIONS APPEAR ON TONGUE.
 2. MATERIAL: COPPER TUBING
 3. STANDARD FINISH: TIN PLATED
ALTERNATE PLATING OPTIONS: ADD SUFFIX TO DENOTE DIFFERENT PLATING REQUIREMENTS.
NK = NICKEL PLATING
W = HOT TIN DIP.
SV = MATTE SILVER PLATING
BR = BARE (UNPLATED)
LD = LEAD PLATING
 4. ALL ITEMS ARE LISTED BY UNDERWRITERS LABS PER CONTROL NUMBER 670-B, FILE NUMBER E9498, WHITE CARD.
 5. ADD "B" SUFFIX FOR BELLED BARREL. BELLED VERSIONS OF THESE HYLUGS™ DONT'T CONFORM TO THE MS20659 DASH NO.

CAT.NO. YAV6C-L10B
SUPERSEDES: SAI6635

HYLUG™	
ITEM NO:	N/A
CAT. NO:	YAVL (SEE TABLE)
DRAWN BY:	ESK 02-02-73
CHECKER:	TB 06-01-77
DSN APPVL:	TB 06-01-77
MFG APPVL:	--
QA APPVL:	--
MKT APPVL:	--
PROD FAM:	PROD./SMALL COMPRE.
PROJECT #:	SIZE
DOCUMENT TYPE:	Sales
REL LEVEL:	Released



SCALE:	DRAWING NO:	REV:
3:1	SD034764	C
	SHEET 1 OF 3	

REV: PEO200